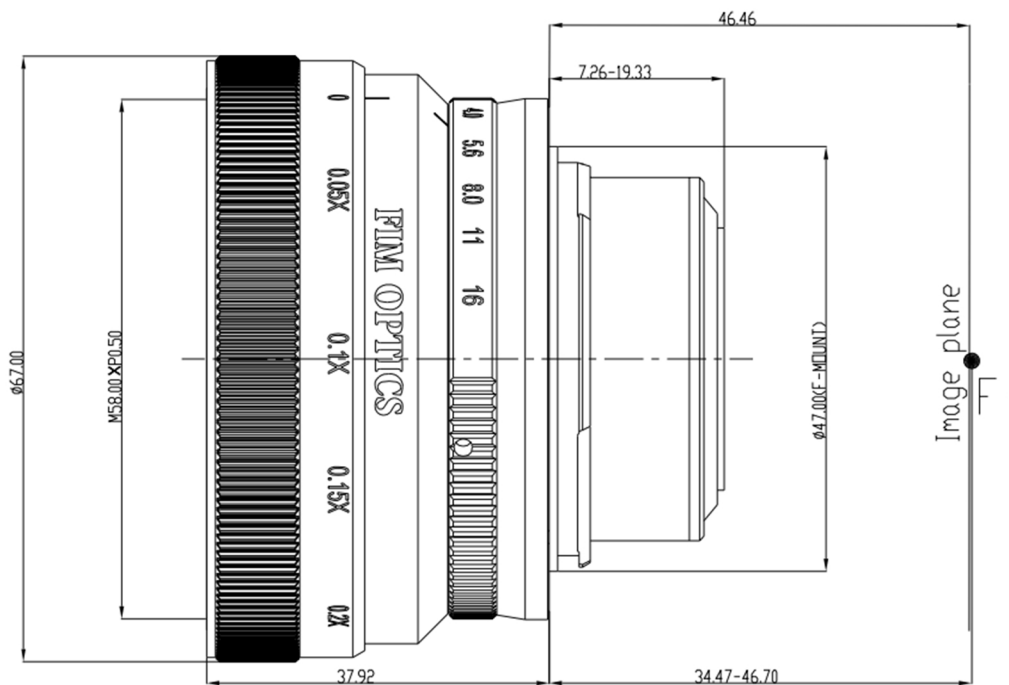


# EL4.0/40-F/62.5

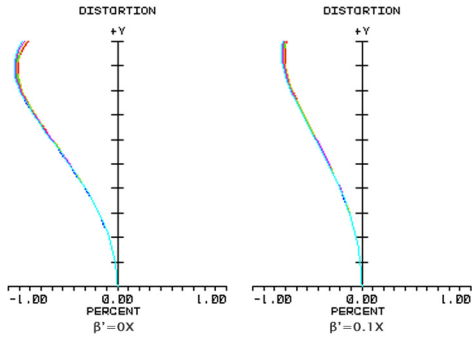
## Specifications

|                  |         |        |                 |
|------------------|---------|--------|-----------------|
| Part Number      | F200440 | HH'    | 12.76mm         |
| Focal Length     | 40.7mm  | Mount  | F-Mount         |
| Image Circle     | 62.5mm  | MaxD   | Φ67             |
| Max. F#          | F4.0    | Filter | M58×0.5         |
| Magnification    | 0-0.2   | Σd     | 37.92mm         |
| Spectrum         | 400-710 | A'     | 7.26mm-19.33mm  |
| Working Distance | 145mm-∞ | A'f    | 34.47mm-46.70mm |
| Resolution       | 3.45 μm |        |                 |

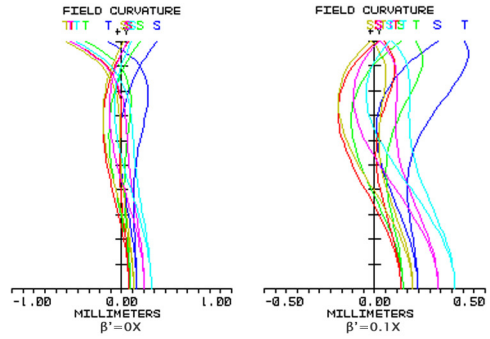
## Mechanical Drawing



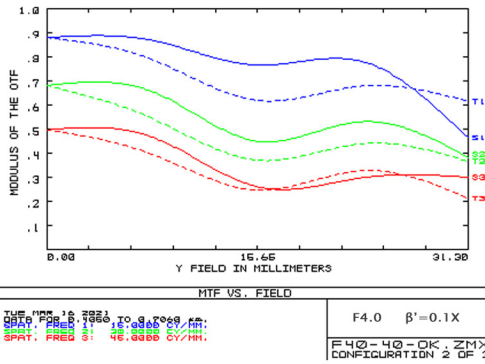
## Distortion



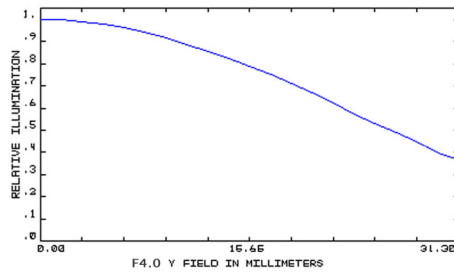
## Field Curvature



## Modulation to Relative Image Height



## Relative Illumination



## Transmittance

